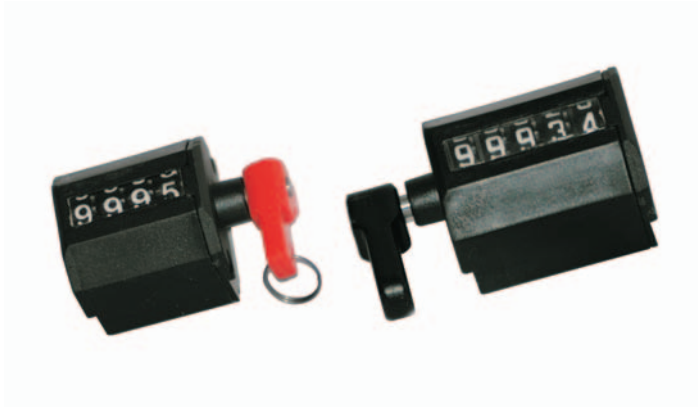


# 5 / 4 / 3 FIGURE TOTALISING COUNTER

# MICROZETA



- **5, 4 or 3 figure display; height = 3 mm**  
white figures on black background upon request black figures on white background wheels with numbers overwritten in indelible printing.

- **versions available**  
right drive shaft with clockwise and counter-clockwise rotation  
left drive shaft with clockwise and counter-clockwise rotation

- **materials**  
nylon PA 66 body kinematic internal mechanisms in synthetic self-lubricating material

- **speed**  
800 strokes / min.



gr. 11



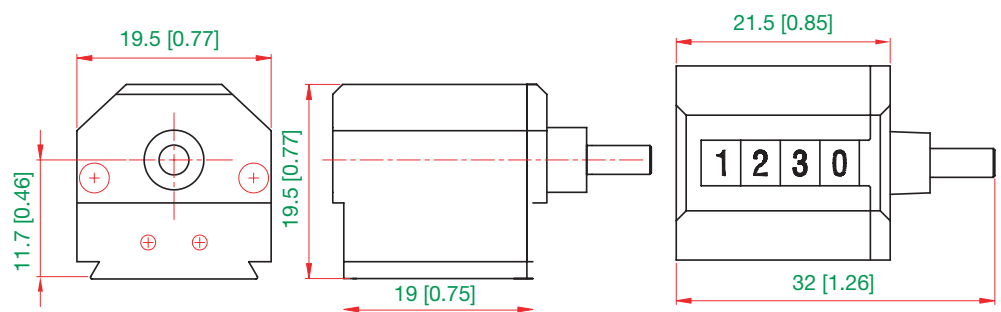
( x 10 pieces ) mm 190 x 90 x 25

## OVERALL DIMENSIONS

### TYPICAL APPLICATIONS

mechanical coin boxes - copiers  
dosers for coffee grinder- installations  
for counting people - cash registers.

The totalizer MICROZETA has a dovetail coupling for mounting support elements suited for fixing the counter to the machine for which it is destined. Victor has a wide selection of such mountings of which only the standard mountings are shown below. Please do not hesitate to contact our technical service department for further information.

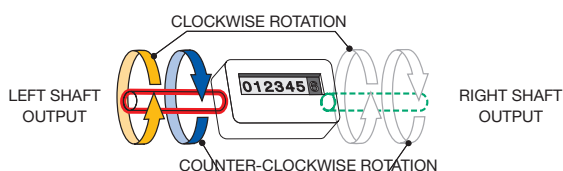


### STROKE COUNTER

### REVOLUTION COUNTER

MODEL	3 FIGURE code	4 FIGURE code	5 FIGURE code	MODEL	3 FIGURE code	4 FIGURE code	5 FIGURE code
MICROZETACB-SS	FC0404/001	FC0402/001	FC0403/001	MICROZETACG-SS	FC0404/011	FC0402/011	FC0403/011
MICROZETACB-SD	FC0404/002	FC0402/002	FC0403/002	MICROZETACG-SD	FC0404/012	FC0402/012	FC0403/012
MICROZETACB-DD	FC0404/003	FC0402/003	FC0403/003	MICROZETACG-DD	FC0404/013	FC0402/013	FC0403/013
MICROZETACB-DS	FC0404/004	FC0402/004	FC0403/004	MICROZETACG-DS	FC0404/014	FC0402/014	FC0403/014

COUNTER

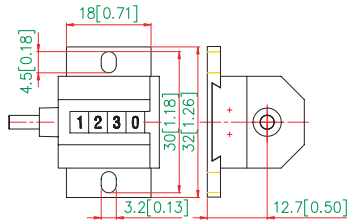


### EXPLANATION OF CODES

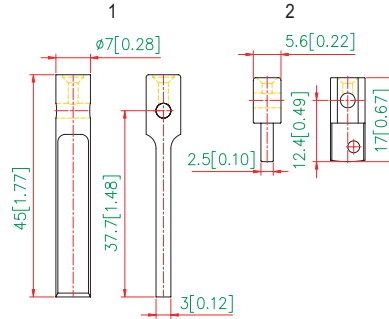
	model	shaft output	shaft rotation	mounting type
example of order	MICROZETA CB / CG	D	S	CA
description		clockwise	counter clockwise	with brackets



MOUNTING DEVICES - HAND LEVER ACTUATORS

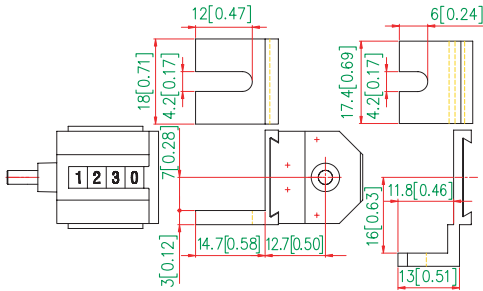


**FIXING BRACKETS**  
• COD. C402/0017E

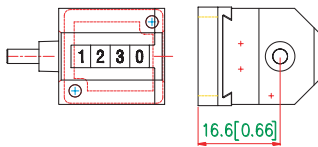


**HAND LEVER ACTUATORS \***

N.	MATERIAL	SKREWS	COD.
1	long type 45 mm	axial	C402/0021
2	short type 17 mm	axial	C402/0018
3	Ring diameter 11 mm		C402/0020



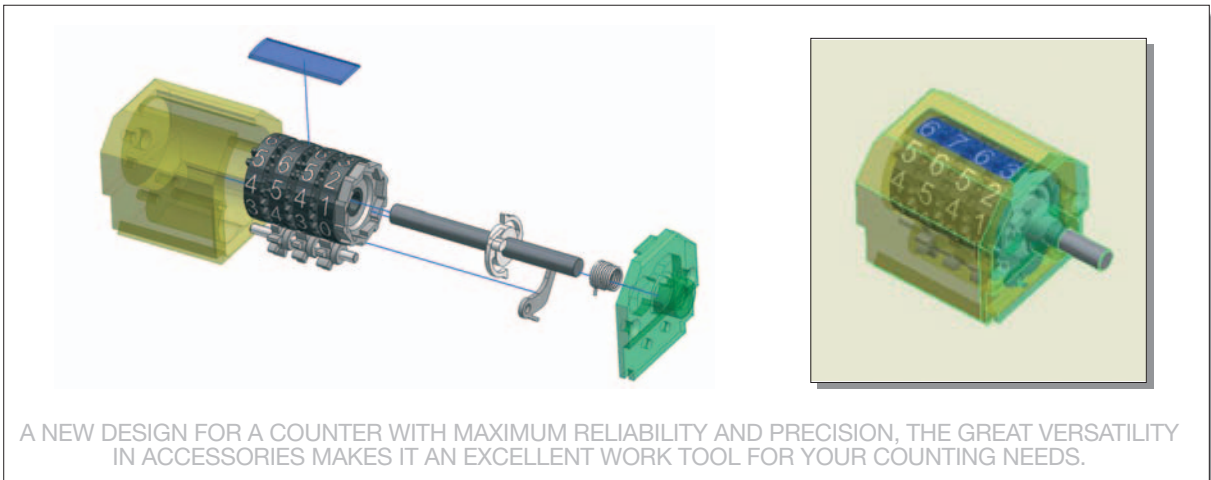
**SHORT LOWER FLANGE**  
• COD. C402/0017C  
**LONG LOWER FLANGE**  
• COD. C402/0017D



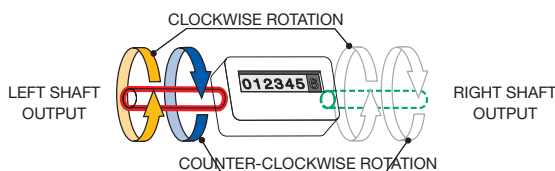
**BACK MOUNTING**  
• COD. C402/0017B

\* Two models of hand-lever actuators are available to mount on the shaft actuator of the totalizer. Both use screws with increased safety margin between installation torque and break-out torque, for maximum hold on plastic. Further, the in-built structure dimensions do not extend beyond the hand-lever itself. A ring is available to facilitate the connection.

Overall dimensions expressed in mm and inches. Measures refer to a 4-figure totalizer



A NEW DESIGN FOR A COUNTER WITH MAXIMUM RELIABILITY AND PRECISION. THE GREAT VERSATILITY IN ACCESSORIES MAKES IT AN EXCELLENT WORK TOOL FOR YOUR COUNTING NEEDS.



**EXPLANATION OF CODES**

	model	shaft output	shaft rotation	mounting type
example of order	MICROZETA CB/CG	D	S	FIL
description		clockwise	counter clockwise	flang. inf. l.

