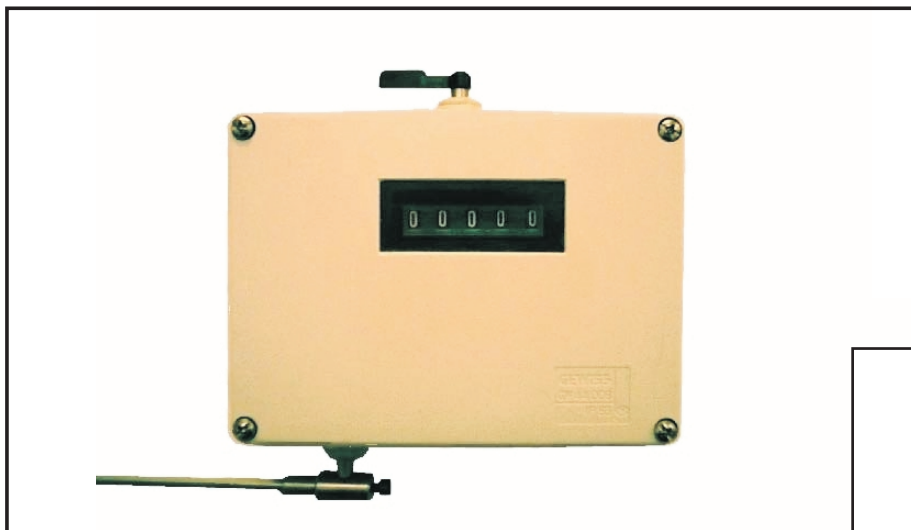




5 DIGIT MECHANICAL STROKE COUNTER RESETTABLE



 gr 1000
 mm 160 x 76 x 118

A COMPLETE MECHANICAL SYSTEM FOR
ENDLESS WORKING IN BAD WEATH CONDITIONS
OF OPERATION

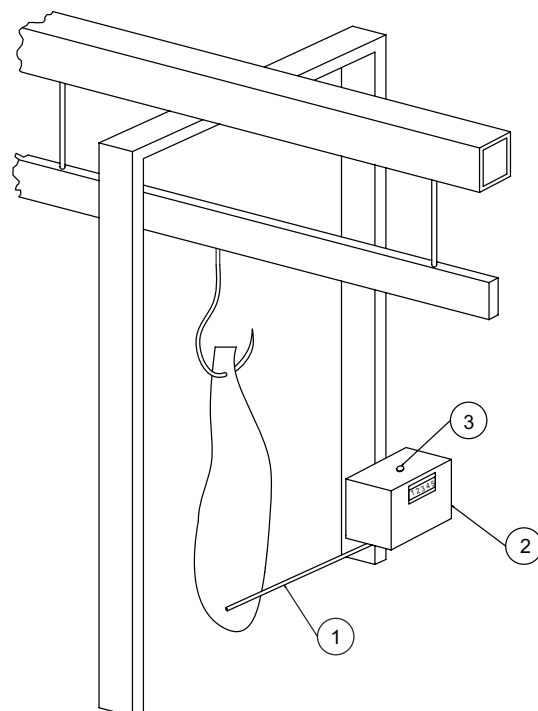
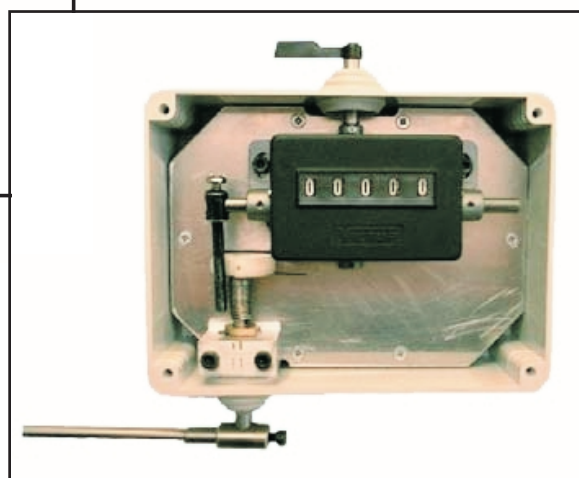
COUNTING ARM WITH LENGHT UP TO 1 MT
HAVING 90° OF OPERATING ROOM

COUNTER CB 05 WITH 5 DIGIT RESETTABLE
TO ZERO

CODE	MODEL
FC0015/005	WATERPROOF COUNTING DEVICE CB 05 WITH 1 MT ARM

IP 55 COUNTER WATERPROOF

- **5-digit display h = mm 6**
5 white digits on black background
- **quick resetting lever**
- **sturdy execution device**
- **counter's materials**
die-cast zamak body
ABS casing
command shaft in AISI 303
metal internal kinematic motion devices
- **box material**
ABS
- **max speed**
700 strokes / min



- ① RATCHET SHAFT
- ② RESETTING DEVICE
- ③ WATERPROOF BOX

COUNTER

