



KGE 06

6-DIGIT SPEED INDICATOR WITH RESET

- **6-digit h = 8 mm display**
white digits on black background
- **quick resetting lever**
- **materials**
die-cast zamak body
ABS casing
command shaft in AISI 303
self-lubricant synthetic material kinematic
motion devices
- **max speed**
3,500 round / min.

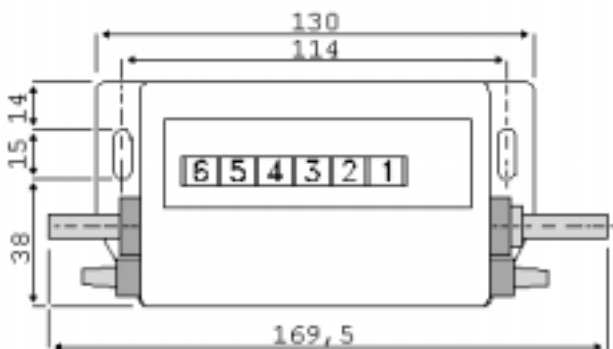
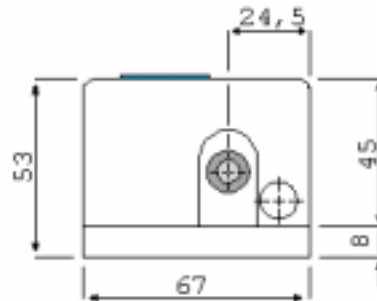
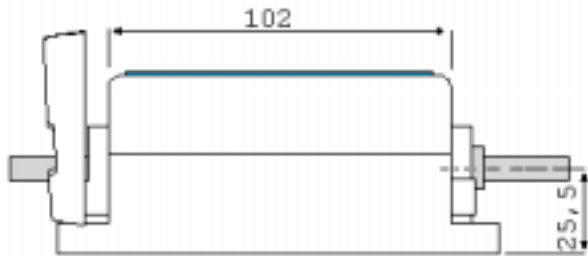
 gr. 790

 mm 170 x 70 x 55

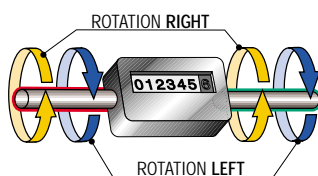


TYPICAL APPLICATIONS

Tool machines - winding machine -
automatic machines.



COD.	MOD.	GEAR RATIO	SHAFT OUTPUT	ROTAT. ↻
FC0875/001	KGE 06 D	1 / 1	passing	right
FC0875/002	KGE 06 S	1 / 1	passing	left



CODE INDICATION

	model	shaft rotation
example of order	KGE 06	S
description		left

