



DOUBLE EFFECT DOWN COUNTER WITH 2 ELECTRIC RELEASES

EP4V 1/20



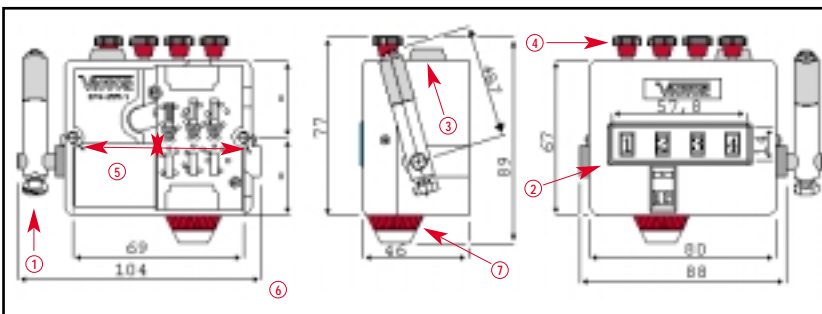
- **4-digit h = 8 mm display**
white digits on black background
- **materials**
die-cast zamak body
ABS casing
metallic and self-lubricating synthetic material
- **contact range**
1 AMP, 24 V CC ;
- **speed**
1,000 strokes/min

 gr. 580

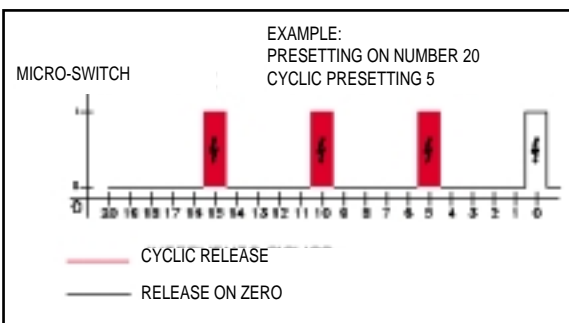
 mm 115 x 95 x 50

TYPICAL APPLICATIONS

Selective automatic feed presses – semi-automatic packagers – production statistical controls – etc....

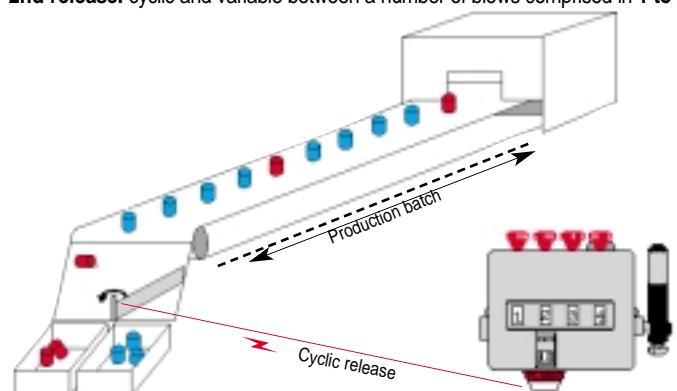


- 1) Command handle
- 2) Digital display
- 3) Digit releasing key
- 4) Digit presetting button
- 5) Terminals
- 6) M5 threaded holes for counter fixing
- 7) Cyclic number activation setting button



EP4V 1/20 - Countdown application with 2 electric releases:

- **1st release:** upon reaching the zero value after the countdown from the preset value
- **2nd release:** cyclic and variable between a number of blows comprised in 1 to 20 range.



COD.	MOD.	SHAFT OUTPUT	ROTATION
FC0295/001	EP4V 1/20	right	right

	CODE INDICATION		
	model	shaft output	rotation
example of order	EP4V 1/20	D	D
<i>description</i>		<i>right</i>	<i>right</i>

