

MECHANICAL DIGITAL THROUGH DRIVE SHAFT POSITION INDICATOR

ALFACROSS R



- **5 figures display h = mm 6**
white figures on black background (whole)
white figures on red background (decimals)

- **materials**
nylon PA 66 body
internal kinematic mechanism in synthetic self-lubricating material

- **standard hole = mm 20 H7**
for shaft with diameter smaller than 20 mm available with reduction bushes

- **colors**
orange (RAL 2004) - black (RAL 2005)

- **max speed**
15.000 units/min of the right numbered digit

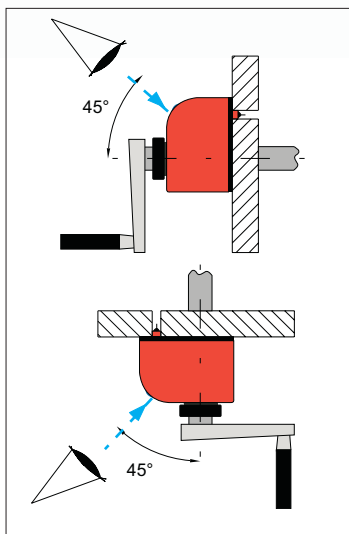


gr 70



mm 70 x 50 x 56

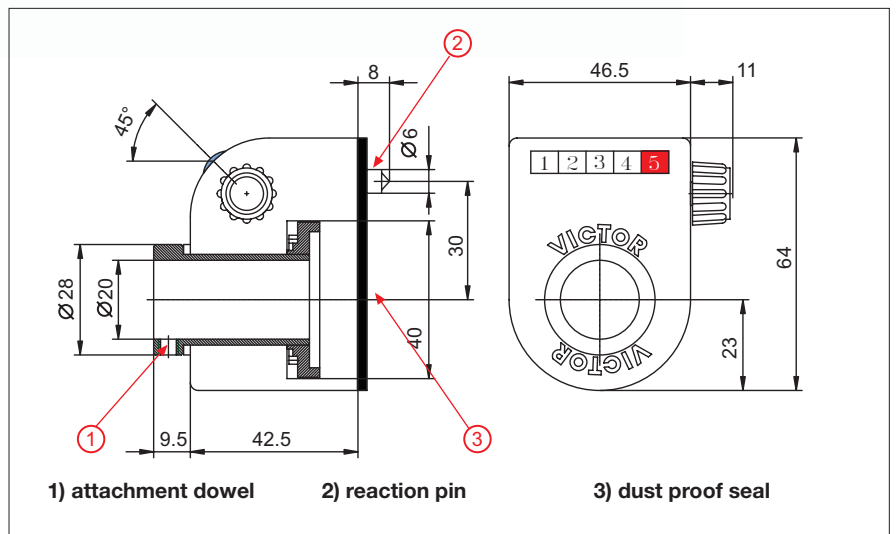
A VIEW



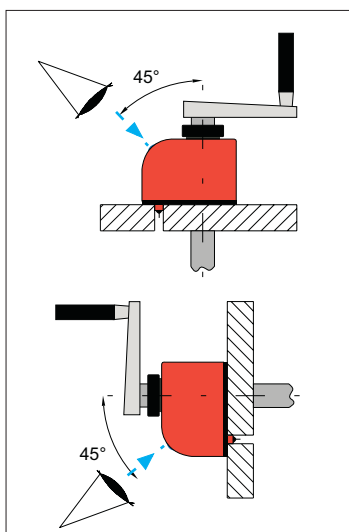
1) attachment dowel

2) reaction pin

3) dust proof seal



B VIEW



ALFACROSS R MODEL

Numerical indication after 1 drive shaft turn	1 turn see table at next page
Reading position	A view or B view
Rotation direction for growing numeration	R = clockwise L = counter-clockwise
Drive shaft diameter	max hole 20
Colour	A = orange N = black

POSITION INDICATORS



**MECHANICAL DIGITAL THROUGH DRIVE SHAFT
POSITION INDICATOR**

ALFACROSS R

Table of ratios for ALFACROSS R

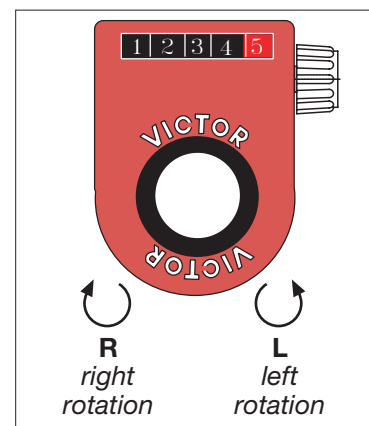
SCREW PITCH	INDICATION ON DISPLAY AFTER 1 TURN		MAX SPEED
	mm	mm pollici	
0,8	0000 8		200
1	001 00		150
1	0001 0	00 039 (37)	300
1,2	001 20		100
1,25	0001 2 (5)		300
1,5	0001 5		300
1,5	001 50	00 059 (05)	100
1,75	0001 7 (5)		300
2	0002 0	00 078 (74)	300
2,5	0002 5	000 09 (84)	300
3	0003 0	000 11 (81)	300
3,5	0003 5		300
4	0004 0	000 15 (74)	300
5	0005 0	000 19 (68)	300
6	0006 0	000 23 (62)	250
7,5	0007 5		200
8	0008 0		200
9	0009 0		150
10	0010 0	000 39 (37)	150
11	0011 0		100
12	0012 0		100
15	0015 0		100

• Please keep contact to our Technical Office for all not mentioned in the upperside table

POSITION INDICATORS



Resettable device allow to reply zero point in different position from initial mechanical positive stop.



CODES INDICATION						
	model	indication after 1 turn	reading position	rotation direction	diam. shaftmm	color
example of order	ALFACROSS R	4,0	A	L	16	A
description		4,0	A	left	16	orange

