

MECHANICAL DIGITAL THROUGH DRIVE SHAFT POSITION INDICATORS

ALFACROSS



- **5-digit h=6 mm display**
white digits on a black background (whole)
white digits on red background (decimals)
- **materials**
body in PA 66 nylon
internal kinematic mechanisms in synthetic, self-lubricating material.
- **standard hole = mm 20 H7**
for shafts with a smaller diameter than 20 mm are available with reduction bushes
- **colours**
orange (RAL 2004) – black (RAL 9005)
- **maximum speed**
15,000 units/min. of the right numbered digit

Digital 5-digit indicator for measuring and displaying a position obtained by rotating a control shaft.

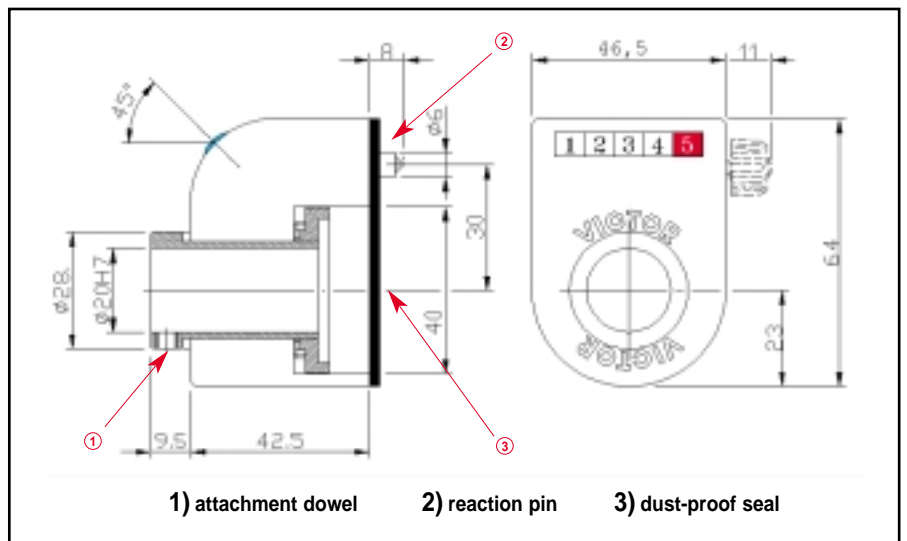
When it is fitted on adjustment shafts with a worm screw it takes the place of a vernier, eliminating the possibility of calculation errors and making reading easy.



gr. 70



mm 70 x 50 x 56

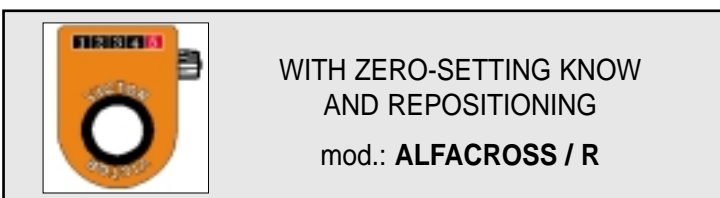
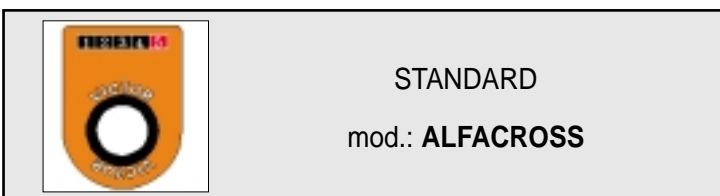


1) attachment dowel

2) reaction pin

3) dust-proof seal

POSITION INDICATORS



MOUNTING INSTRUCTIONS

Fit the indicator onto the drive shaft making sure that it is in the required reference point and that the indicator has been completely returned to zero.

Insert the reaction pin into a $\varnothing 6$ mm hole, situated 30 mm from the shaft axis and tighten the attachment dowel.

This is the correct way to mount the device onto the operating machine.



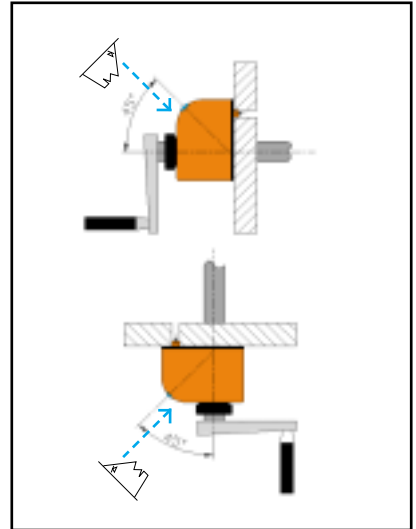
ALFACROSS

MECHANICAL DIGITAL THROUGH DRIVE SHAFT POSITION INDICATORS

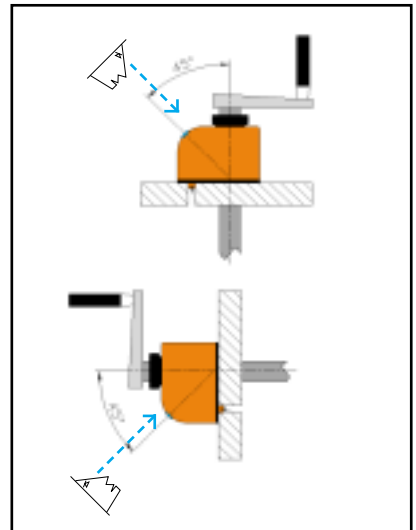
SCREW PITCH	DISPLAY INDICATION AFTER 1 TURN		MAXIMUM SPEED turns / min.
	mm	mm inches	
0.8	0000 8		200
1	001 00		150
1	0001 0	00 039 (37)	300
1.2	001 20		100
1.25	0001 2 (5)		300
1.5	0001 5		300
1.5	001 50	00 059 (05)	100
1.75	0001 7 (5)		300
2	0002 0	00 078 (74)	300
2.5	0002 5	000 09 (84)	300
3	0003 0	000 11 (81)	300
3.5	0003 5		300
4	0004 0	000 15 (74)	300
5	0005 0	000 19 (68)	300
6	0006 0	000 23 (62)	250
7.5	0007 5		200
8	0008 0		200
9	0009 0		150
10	0010 0	000 39 (37)	150
11	0011 0		100
12	0012 0		100
15	0015 0		100

• Please contact our Technical Offices for ratios that are not mentioned in this table

VIEW : A



VIEW : B



When placing the order please specify:

- ▶ Model ➡ with /without zero setting
- ▶ Numerical indication after 1 turn of drive shaft ➡ 1 turn = (see table)
- ▶ Reading position ➡ View A ; View B ;
- ▶ Direction in which the drive shaft rotates for increasing numbering. ➡ D= clockwise; S= anti-clockwise
- ▶ Diameter of drive shaft ➡ Hole maximum mm 20
- ▶ Colour ➡ A= orange N= black

CODE INDICATIONS

	model	indication after 1 turn	reading position	rotation direction	∅ shaft in mm.	colour
example of order	ALFACROSS	4,0	A	S	16	A
description		4,0	A	left	16	orange



D
right rotation

S
left rotation

POSITION INDICATORS

