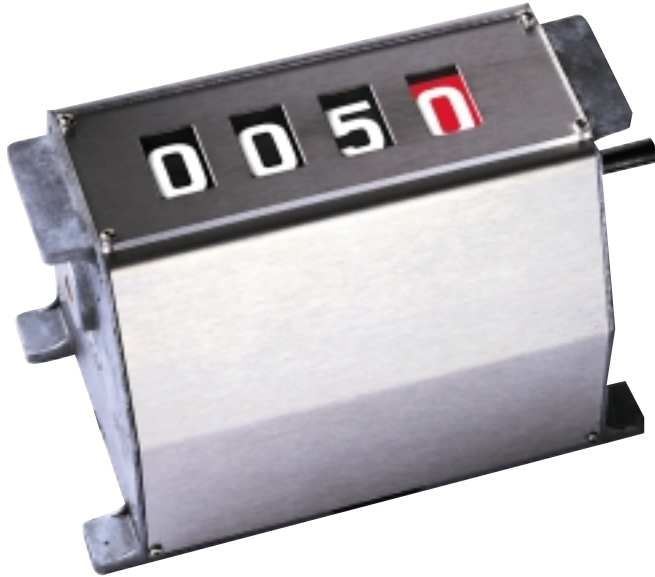



3, 4 OR 5-DIGIT POSITION INDICATORS

ALFA 23/3 - 23/4 - 23/5



Available in standard versions:

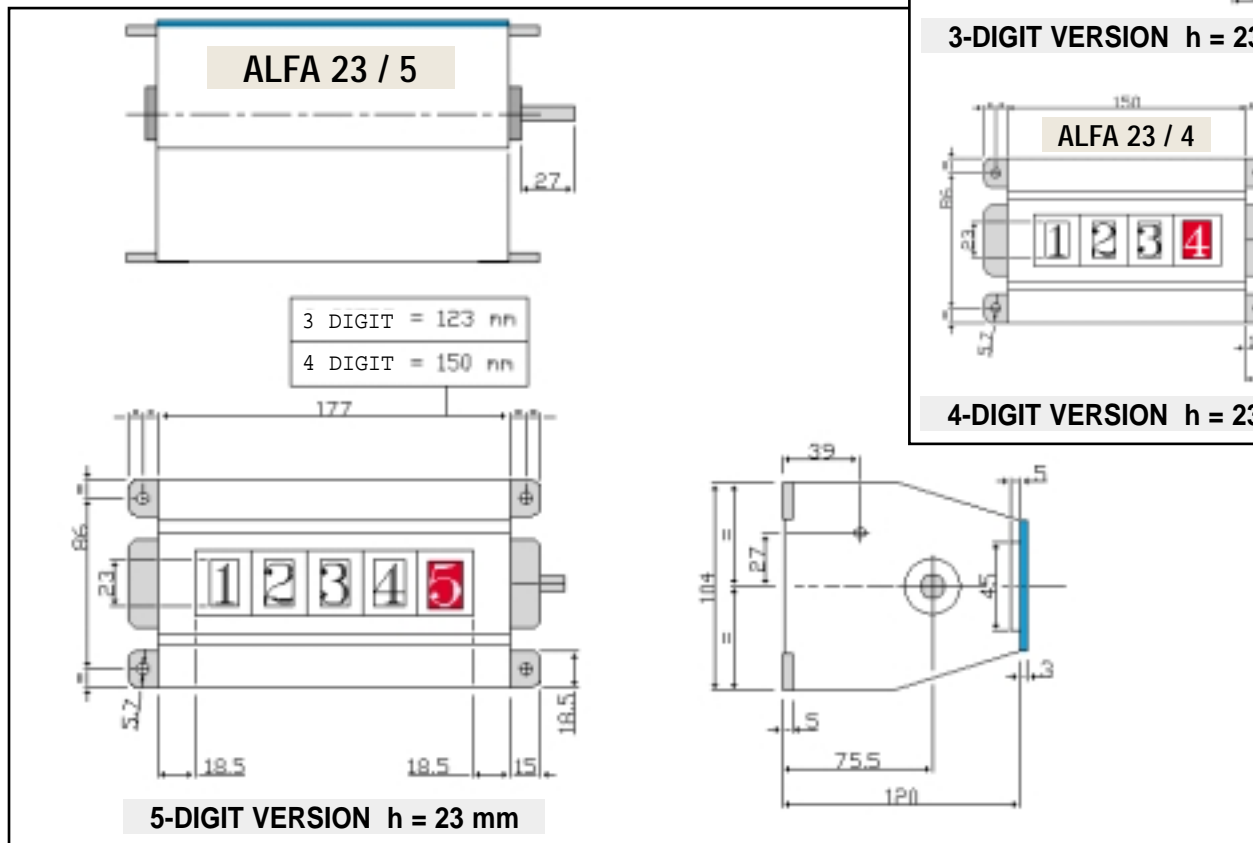
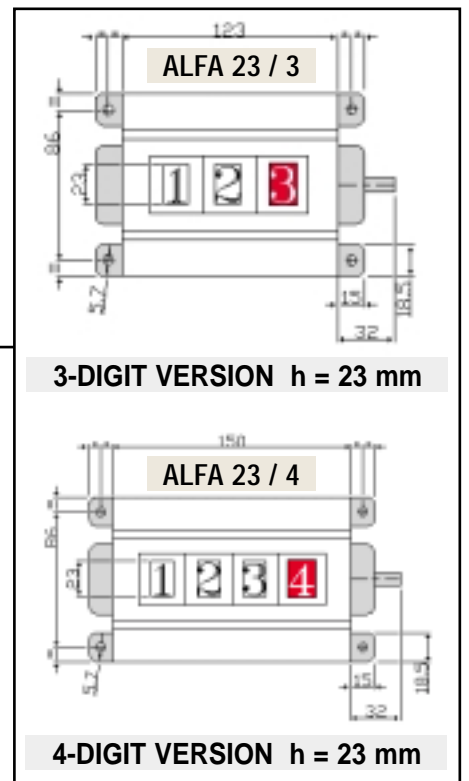
- **3, 4 or 5-digit h=23 mm display**
white digits on a black background (whole)
white digit on red background (decimals)
- **materials**
zamak die-cast body
cover in stainless steel
optional aluminium panel
internal kinematic mechanisms in synthetic, self-lubricating and brass materials
- **on request:** last white digit on red/black background with millimetric hatching

 gr. 1,800

 mm 205 x 170 x 155

TYPICAL APPLICATIONS

Sturdy and reliable device even at high numbering speed. With an extremely visible, wide display it is therefore suitable for use in all those situations where there is a long distance between the machine and the operator.



POSITION INDICATORS

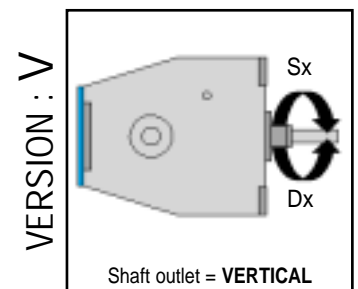
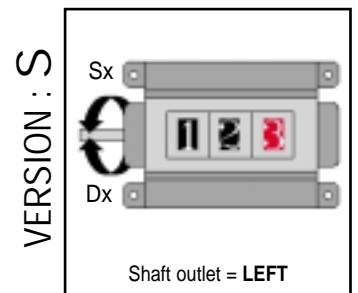
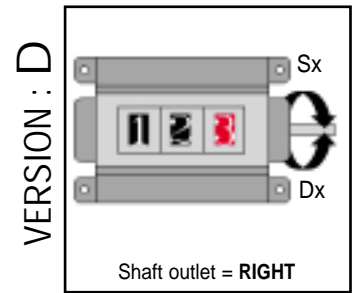
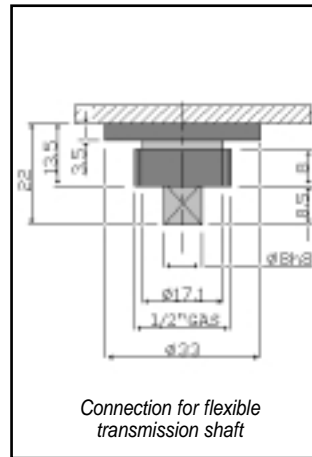
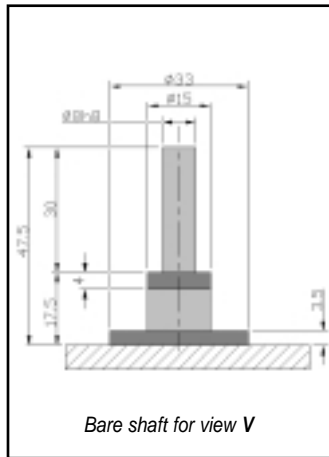
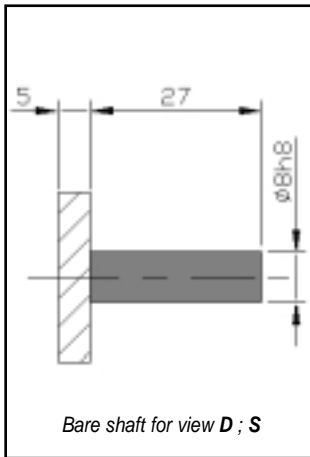


ALFA 23/3 - 23/4 - 23/5

3, 4 OR 5-DIGIT POSITION INDICATORS

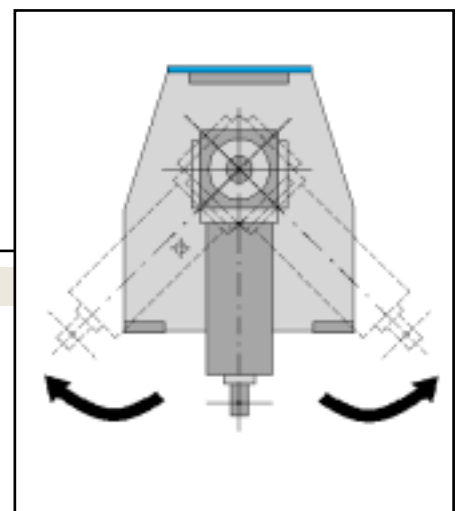
| SCREW PITCH mm | DISPLAY INDICATION AFTER 1 TURN | | | STANDARD AVAILABILITY IN RELATION TO SHAFT OUTLET for all types with 3, 4 or 5 digits | | |
|-------------------|------------------------------------|-----------------|-----------------|--|---|---|
| | ALFA 23/3 mm | ALFA 23/4 mm | ALFA 23/5 mm | D | S | V |
| 0.5 | 005 | 0005 | 00005 | D | S | V |
| 1 | 001 | 0001 | 00001 | D | S | V |
| 1 | 01 0 | 001 0 | 0001 0 | D | S | V |
| 2 | 002 | 0002 | 00002 | | | V |
| 5 | 005 | 0005 | 00005 | D | S | V |
| 6 | 006 | 0006 | 00006 | | | V |
| 10 | 010 | 0010 | 00010 | D | S | V |

• Please contact our Technical Offices for anything not mentioned in this table



SQUARE SHUNT (see accessories section)

This is in zamak with AV steel shaft that rotates on ball bearings. Power is transmitted via a mitre wheel gearing in DELRIN. Applied to the shaft overhang it achieves an angular outlet with 360° rotation.



When placing the order please specify:

- ▶ Model ➡ ALFA 23/3 ; ALFA 23/4 ; ALFA 23/5
- ▶ Numerical indication after 1 turn of drive shaft ➡ 1 turn = (see table)
- ▶ Position of shaft outlet ➡ version D ; S ; V
- ▶ Direction in which the drive shaft rotates for increasing numbering. ➡ D= clockwise ; S= anti-clockwise
- ▶ Type of connection ➡ N= direct connection (bare axis)
F= connection for flexible transmission

CODE INDICATIONS

| | model | indication after 1 turn | version | rotation direction | type of connection |
|------------------|-------------------|-------------------------|-----------------------|--------------------|-------------------------------|
| example of order | ALFA 23/4 | 1,0 | V | S | N |
| description | 4-digit indicator | 1,0 | shaft outlet vertical | left | connection for flexible shaft |

POSITION INDICATORS

