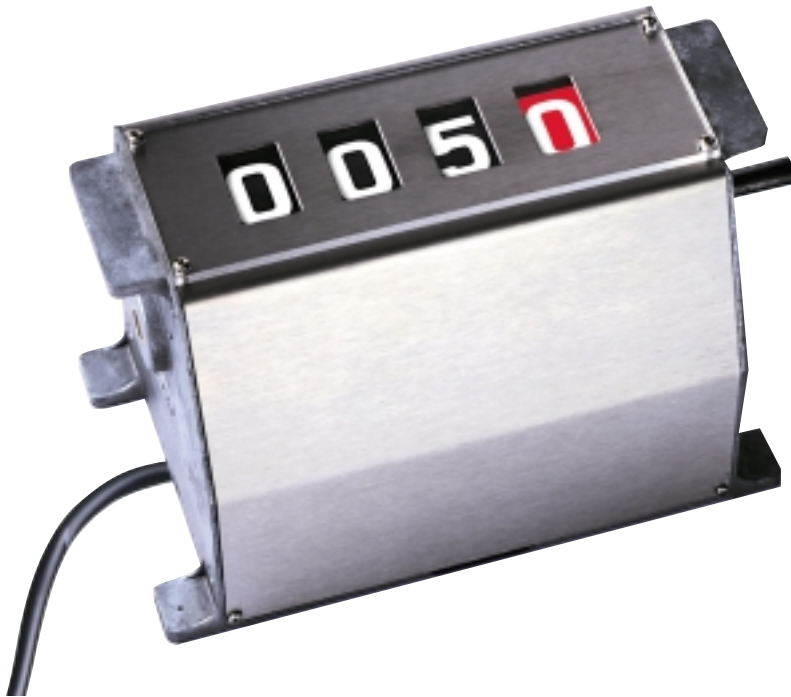


# 3, 4 OR 5-DIGIT POSITION INDICATORS

WITH ELECTRIC CONTACT


# DELTA

## 23/3 - 23/4 - 23/5



Available in standard versions:

- **3, 4 or 5-digit h=23 mm display**  
white digits on a black background (whole)  
white digit on red background (decimal)
- **materials**  
zamak die-cast body  
cover in stainless steel  
internal kinematic mechanisms in synthetic, self-lubricating and brass materials
- **on request:** last white digit on red/black background with millimetric hatching

 gr. 1,800

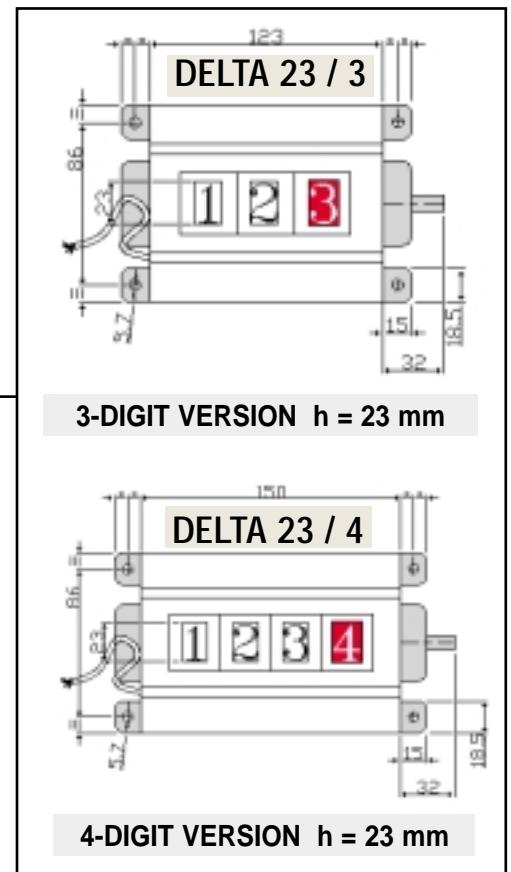
 mm 205 x 170 x 155

### TYPICAL APPLICATIONS

In addition to the usual function of displaying measurements, this family of devices equipped with micro-circuit breakers controlled by cams, gives On-Off signals that can be used for a wide range of mechanisms.

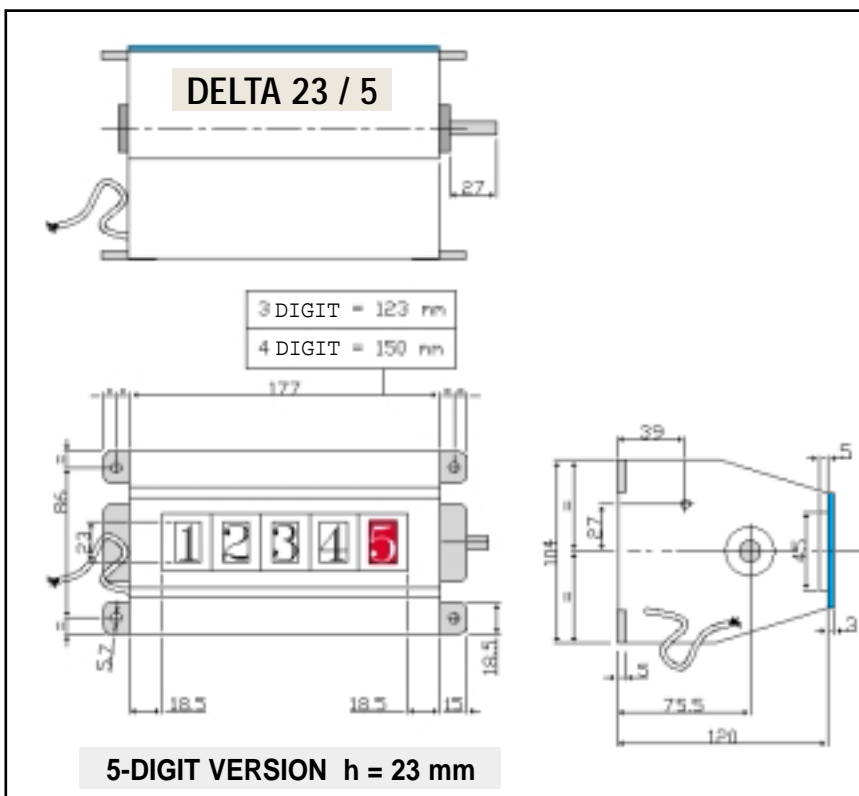
POSITION INDICATORS

WITH ELECTRIC CONTACTS



3-DIGIT VERSION h = 23 mm

4-DIGIT VERSION h = 23 mm



5-DIGIT VERSION h = 23 mm