

# MECHANICAL DIGITAL 4-DIGIT POSITION INDICATORS WITH ZERO SETTING

## ALFA 2



- **4-digit h=8 mm display**  
white digits on a black background (whole)  
white digits on red background (decimals)
- **panel mounting**  
horizontal or vertical
- **materials**  
body in PA 66 nylon  
internal kinematic mechanisms in synthetic,  
self-lubricating material.
- **zero setting**  
with front counter sunk head screw  
(standard)  
with front knob (on request)
- **colours**  
black (RAL 9005)
- **maximum speed**  
15,000 units/min. of the right numbered digit



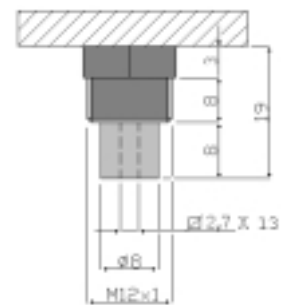
gr. 120



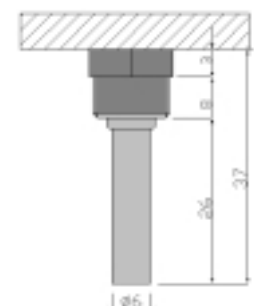
mm 110 x 85 x 70

4-digit digital indicator for measuring, regulating and displaying a position obtained by the rotation of a drive shaft. Adequate flexible transmission and direct coupling of the instrument to the drive shaft and an appropriate series of gears makes it possible to display the exact regulation carried out on the part in the tool machine.

### DRIVE SHAFTS

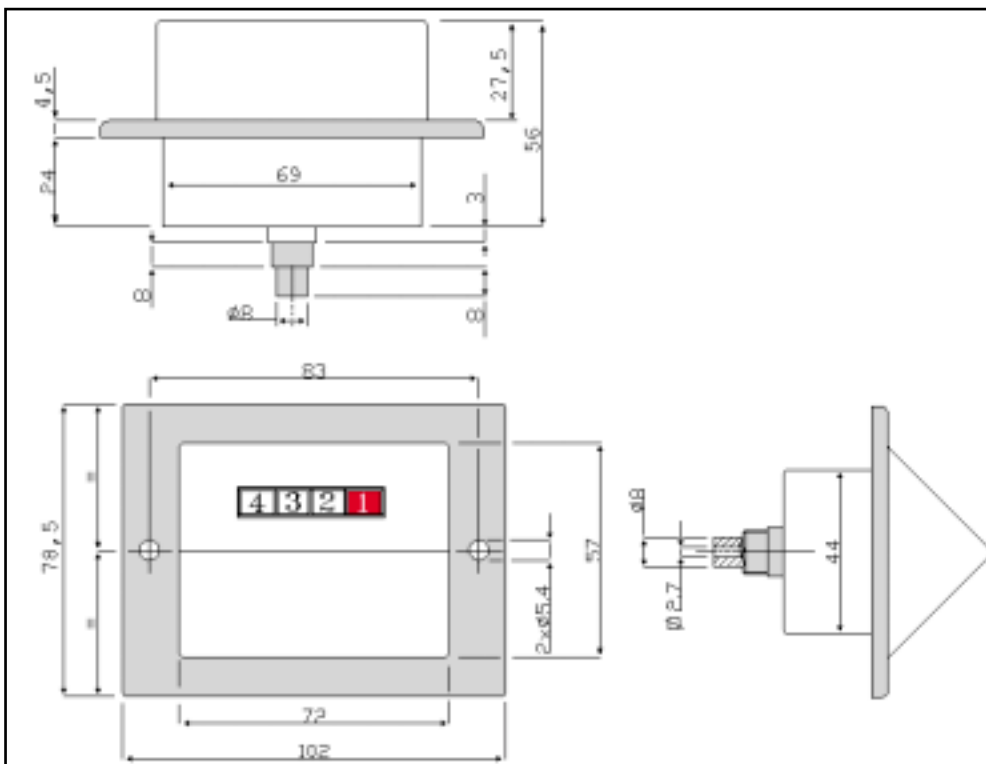


**standard** = square connection for flexible shaft



**on request** = bare shaft for direct connection

POSITION INDICATORS



# ALFA 2

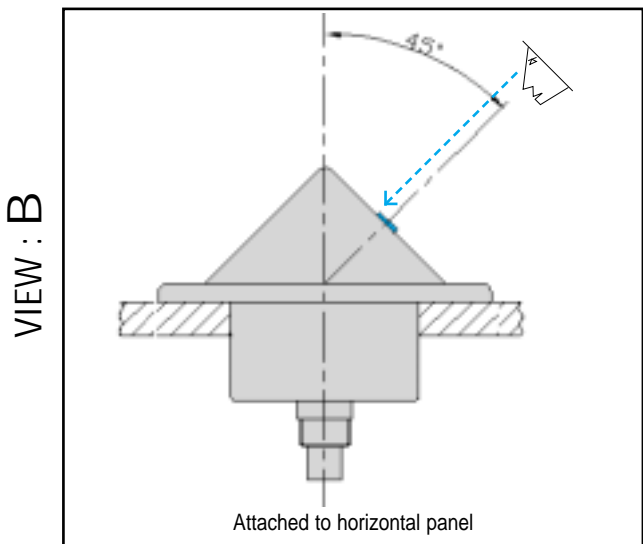
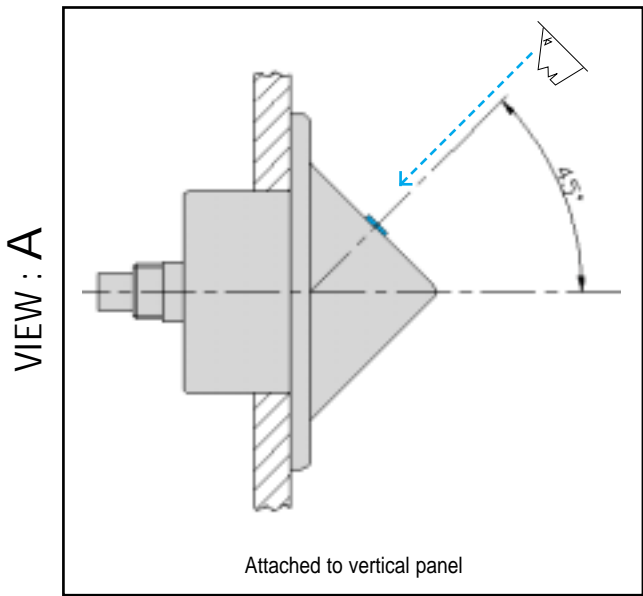
## MECHANICAL DIGITAL 4-DIGIT POSITION INDICATORS WITH ZERO SETTING

SCREW PITCH	DISPLAY INDICATION AFTER 1 TURN	
	mm	mm inches
0.5	000 <b>5</b>	0 019 (68)
0.75	000 <b>7</b> (5)	
1	001 <b>0</b>	00 03 (93)
1.25	001 <b>2</b> (5)	
1.5	001 <b>5</b>	00 05 (90)
1.75	001 <b>7</b> (5)	
2	002 <b>0</b>	00 07 (87)
2.5	002 <b>5</b>	00 09 (84)
3	003 <b>0</b>	00 11 (81)
3.5	003 <b>5</b>	
4	004 <b>0</b>	00 15 (75)
5	005 <b>0</b>	00 19 (69)
6	006 <b>0</b>	00 23 (62)
7.5	007 <b>5</b>	
8	008 <b>0</b>	
12	012 <b>0</b>	
15	015 <b>0</b>	

- other special ratios made:

1 turn = reading 001 7 (3)
1 turn = reading 001 6 (25)

• Please contact our Technical Offices for ratios that are not mentioned in this table



### When placing the order please specify:

- ▶ Numerical indication after 1 turn of drive shaft 1 turn= (see table)
- ▶ Type of view view **A** ; view **B** ; view **P** (flat)
- ▶ Direction in which the drive shaft rotates for increasing numbering. **D**= clockwise ; **S**= anti-clockwise
- ▶ Drive shaft outlet **P**= rear ; **B**= bottom ; **L**= side ;
- ▶ Type of connection **F**= connection Ø mm 2.7 for flexible transmission ( std );  
**N** = direct connection ( bar axis )



**D**  
right rotation

**S**  
left rotation

### CODE INDICATIONS

	model	indication after 1 turn	reading position	rotation direction	shaft outlet	type of connection
example of order	ALFA 2	2,0	A	S	P	F
description		2,0	A	left	rear	connection for flexible shaft

POSITION INDICATORS

