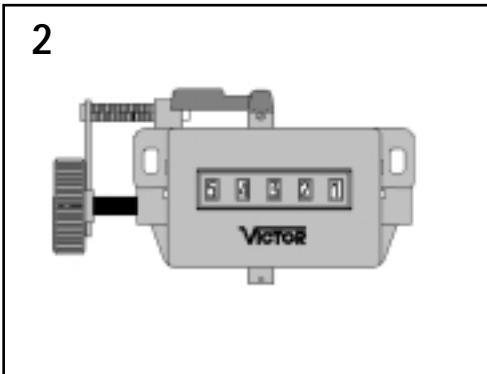


METERS


2




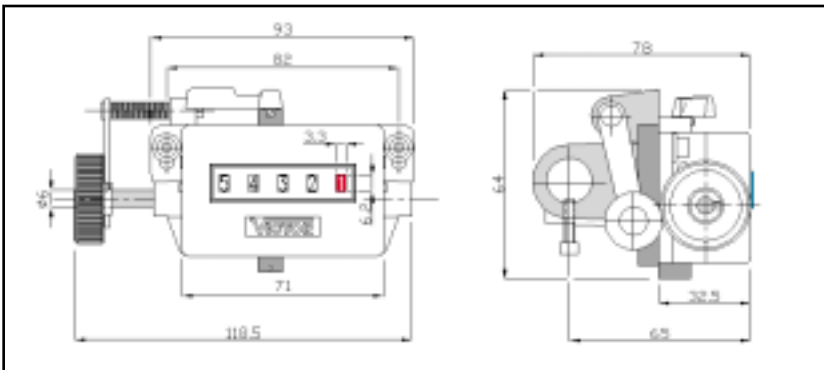
- **5-digit h = 6 mm display**
4 white digits on black background
+ 1 white digit on red background
- **quick resetting lever**
- **materials**
die-cast zamak body
ABS casing
metal internal kinematic motion devices

TAPE METER

- Die-cast counter plate for fixing on Ø 16 mm rod with a device equipped with a contrasting wheel to ensure better adherence

 gr. 560

 (x 2 blows) mm 180 x 65 x 65

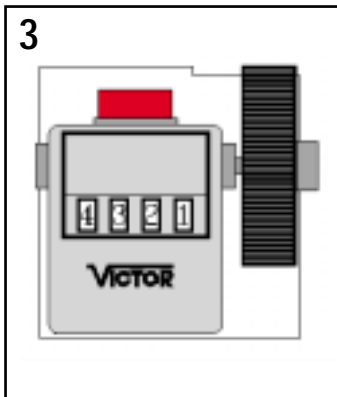


TYPICAL APPLICATIONS

Tape - clothe - laminated in general measurement

COD.	MOD.	SHAFT OUTPUT	ROTAT. ↻
FC0010/004	TAPE METER	left	right
FC0010/005	TAPE METER	left	left


3




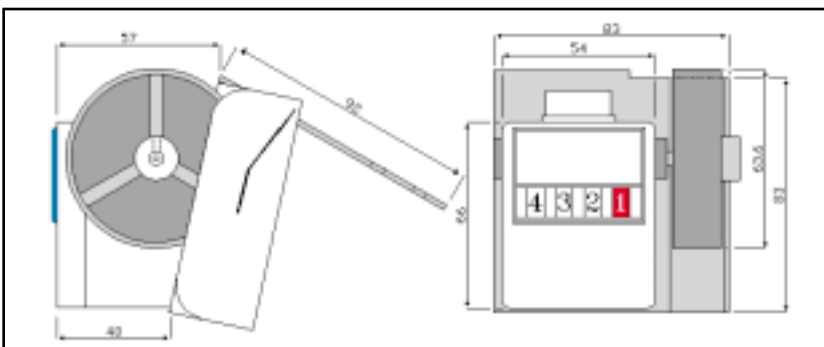
- **4-digit h = 6 mm display**
3 white digits on black background
+ 1 white digit on red background
Maximum capacity m 999.9
- **quick resetting key**
- **materials**
Die-cast zamak body
ABS casing
- Metal internal kinematic motion devices

WIRE METER

- 200 mm mopen + rubber wheel
- Stainless steel plate fixing support
- **Useful section for wires or ropes with a diameter comprised between 2.5 and 10 mm**

 gr. 590

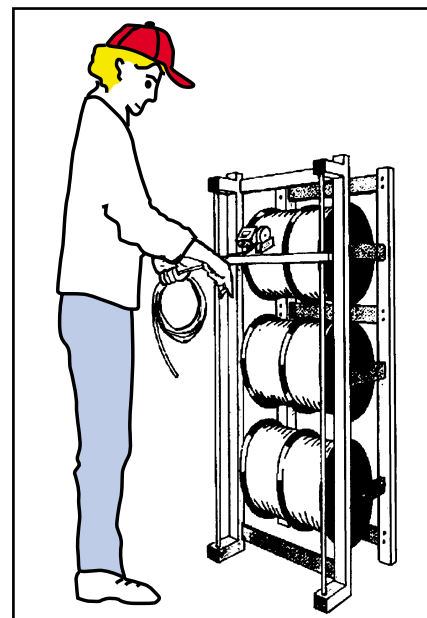
 (x4 blows) mm 200 x 170 x 150



COD.	MOD.	SHAFT OUTPUT	ROTATION ↻
FC0475/006	WIRE METER	right	right

TYPICAL APPLICATIONS

Well suited in the large scale retail trade with displays directly used by the customers



METERS

